



PADDOCK
POOL EQUIPMENT COMPANY

FIBERGLASS HORIZONTAL PRESSURE SAND FILTER

Paddock Pool Equipment Company's (PPEC) fiberglass horizontal pressure sand filters are the most durable and versatile of their kind in today's market. Our various size offerings make sizing for any space and flow requirements easy.



FEATURES & BENEFITS

Our fiberglass filters are designed to meet the same performance specifications of Paddock's stainless steel horizontal filters. Ranging from 16.5 ft² of area to 134 ft² of area, our Horizontal Fiberglass Series can be used in virtually any commercial aquatic application.

- All models are NSF® listed
- Fiberglass construction
- Sizes range from 32" to 60" diameter, 72" to 172" overall length
- Non-corrosive tank and internals

NSF[®]



OPTIONS

- Automatic control
- Units Available
 - Single-Unit: one tank
 - Dual-Unit: two tanks side by side
 - Single Stacked: two tanks
 - Dual Stacked: four tanks

*Setting the standard for
American-made pools
since 1922*



Vol. 1.0

555 Paddock Parkway
Rock Hill, South Carolina 29730

Main Phone: 803.324.1111

Email: Info@PaddockIndustries.com

Website: www.PaddockIndustries.com

PRESSURE SAND FILTER HORIZONTAL FIBERGLASS

SINGLE-UNIT PADDOCK FIBERGLASS HORIZONTAL FILTERS

**Additional sizing is available

** Model No.	Dia.	Filter Area (sq ft)	15 GPM/FT2	Backwash Rate	15 GPM/FT2	Tank Conn. Size	Media (cu ft)	Gravel	Media (cu ft)	Dim. 'A'	Dim. 'B'	Dim. 'C'	Dim. 'D'	Dim. 'E'	Dim. 'F'	Dim. 'G'	Dim. 'H'
34-16.5	34"	16.5	247.5 GPM	247.5 GPM	4"	11.6	6.06	2.10"	6'-8 1/2"	3'-4 3/4"	1'-8 3/8"	2'-10"	11'-13 1/16"	2'-10"	7'-11 1/8"		
42-24	42"	24	360 GPM	360 GPM	6"	23.75	7.56	3'-6"	7'-8 1/2"	4'-0 3/4"	2'-4"	3'-6"	1'-0"	3'-0"	9'-2 9/16"		
48-30	48"	30	450 GPM	450 GPM	6"	34.64	8.38	4'-0"	7'-9"	4'-6 3/4"	2'-10 1/2"	4'-0"	11 3/4"	3'-0"	9'-3 1/16"		
60-35	60"	35	525 GPM	525 GPM	6"	50	16.76	5'-0"	7'-9 5/8"	5'-7 1/4"	3'-1 3/4"	4'-11"	1'-4 1/4"	2'-6"	9'-3 7/16"		
60-40	60"	40	600 GPM	600 GPM	6"	55.56	18.34	5'-0"	8'-9 3/8"	5'-7 1/4"	3'-1 3/4"	4'-11"	1'-4 1/4"	3'-0"	10'-3 7/16"		

DUAL-UNIT PADDOCK FIBERGLASS HORIZONTAL FILTERS

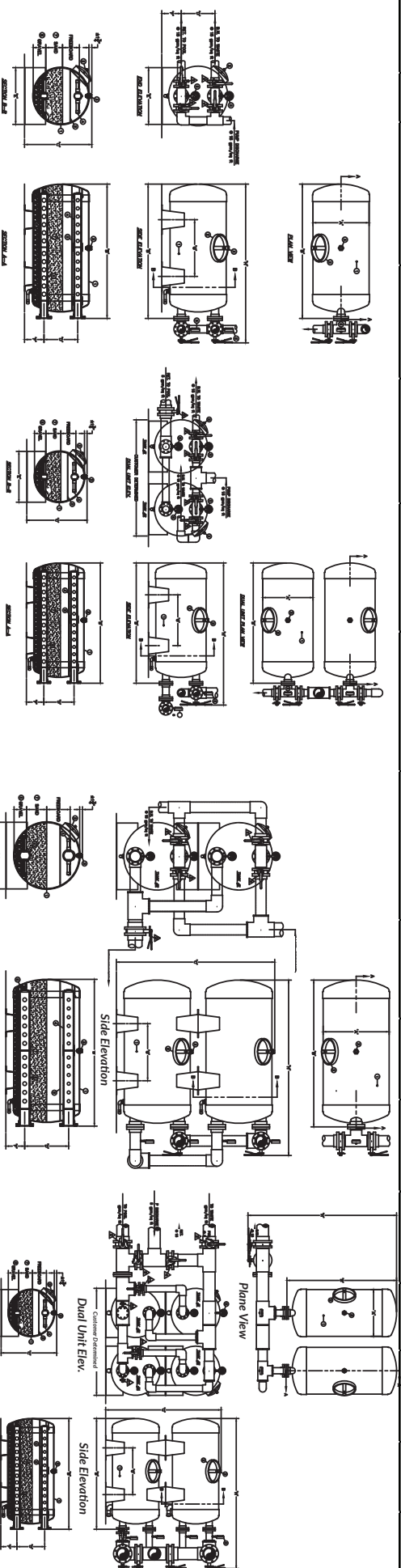
** Model No.	Dia.	Filter Area (sq ft)	15 GPM/FT2	Backwash Rate	15 GPM/FT2	Tank Conn. Size	Media (cu ft)	Gravel	Media (cu ft)	Dim. 'A'	Dim. 'B'	Dim. 'C'	Dim. 'D'	Dim. 'E'	Dim. 'F'	Dim. 'G'	Dim. 'H'
34-33	34"	33	495 GPM	247.5 GPM	4"	32.2	12.12	2'-10"	6'-8 1/2"	3'-4 3/4"	1'-8 3/8"	2'-10"	11 13/16"	2'-10"	7'-11 1/8"		
42-48	42"	48	720 GPM	360 GPM	6"	47.5	15.13	3'-6"	7'-8 1/2"	4'-0 3/4"	2'-4"	3'-6"	1'-0"	3'-0"	9'-2 9/16"		
48-60	48"	60	900 GPM	450 GPM	6"	69.28	16.76	4'-0"	7'-9"	4'-6 3/4"	2'-10 1/2"	4'-0"	11 3/4"	3'-0"	9'-3 1/16"		
60-70	60"	70	1050 GPM	1050 GPM	6"	100	33.52	5'-0"	7'-9 5/8"	5'-7 1/4"	3'-1 3/4"	4'-11"	1'-4 1/4"	2'-6"	9'-3 7/16"		
60-80	60"	80	1200 GPM	1200 GPM	6"	111.12	36.68	5'-0"	8'-9 3/8"	5'-7 1/4"	3'-1 3/4"	4'-11"	1'-4 1/4"	3'-0"	10'-3 7/16"		

PADDOCK FIBERGLASS HORIZONTAL FILTERS - SINGLE STACKED UNIT

** Model No.	Dia.	Filter Area (sq ft)	15 GPM/FT2	Backwash Rate	15 GPM/FT2	Tank Conn. Size	Media (cu ft)	Gravel	Media (cu ft)	Dim. 'A'	Dim. 'B'	Dim. 'C'	Dim. 'D'	Dim. 'E'	Dim. 'F'	Dim. 'G'	Dim. 'H'
34-33	34"	33	495 GPM	247.5 GPM	4"	32.2	12.12	2'-10"	6'-8 1/2"	3'-4 3/4"	1'-8 3/8"	2'-10"	11 13/16"	2'-10"	7'-11 1/8"		
42-48	42"	48	720 GPM	360 GPM	6"	47.5	15.13	3'-6"	7'-8 1/2"	4'-0 3/4"	2'-4"	3'-6"	1'-0"	3'-0"	9'-2 9/16"		
48-60	48"	60	900 GPM	450 GPM	6"	69.28	16.76	4'-0"	7'-9"	4'-6 3/4"	2'-10 1/2"	4'-0"	11 3/4"	3'-0"	9'-3 1/16"		

PADDOCK FIBERGLASS HORIZONTAL FILTERS - DUAL STACKED UNIT

** Model No.	Dia.	Filter Area (sq ft)	15 GPM/FT2	Backwash Rate	15 GPM/FT2	Tank Conn. Size	Media (cu ft)	Gravel	Media (cu ft)	Dim. 'A'	Dim. 'B'	Dim. 'C'	Dim. 'D'	Dim. 'E'	Dim. 'F'	Dim. 'G'	Dim. 'H'
34-66	34"	66	990 GPM	247.5 GPM	4"	46.4	24.24	2'-10"	6'-8 1/2"	7'-1"	1'-8 3/8"	2'-10"	11 13/16"	2'-10"	9'-1"		
42-96	42"	96	1440 GPM	360 GPM	6"	95	30.24	3'-6"	7'-8 1/2"	8'-11 1/4"	2'-4"	3'-6"	1'-0"	3'-0"	10'-3"		
48-120	48"	120	1800 GPM	450 GPM	6"	138.56	33.52	4'-0"	7'-9"	9'-4 5/8"	2'-10 1/2"	4'-0"	11 3/4"	3'-0"	10'-3 1/2"		



SINGLE UNIT

DUAL UNIT

SINGLE STACKED

DUAL STACKED