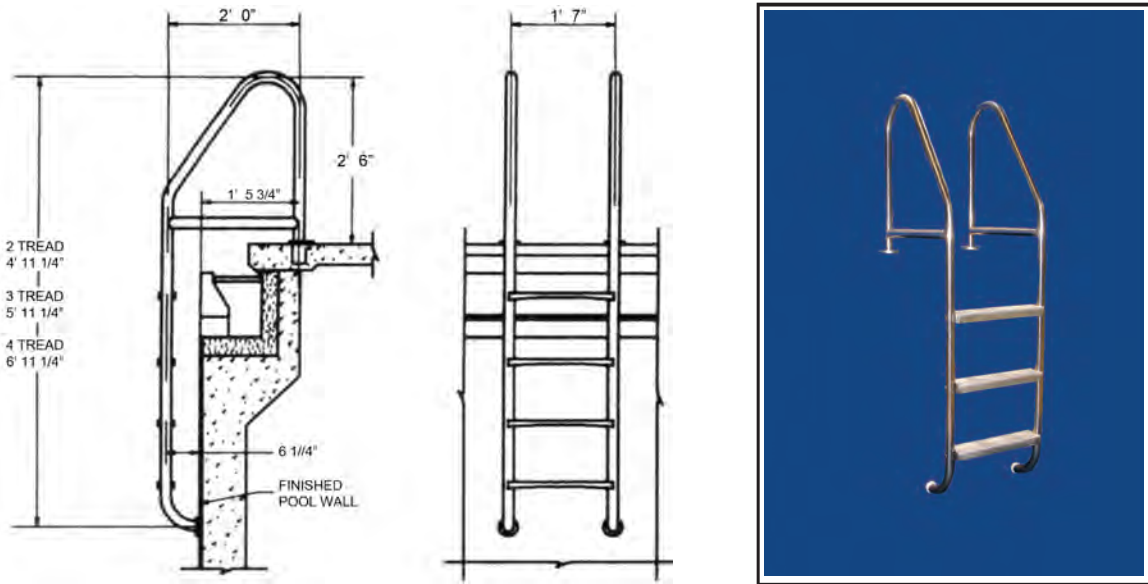


## Ladder



Paddock's **Ladders** are fabricated from Type 304 or 316L stainless steel tubing with an outside diameter of 1.90" and standard wall thickness of .083". (Outside diameter of 1.5" or wall thickness of .120" is also available.)

**Ladder** rails are spaced 19" apart with a cross brace for added stability and furnished with slip-resistant stainless steel treads.

Exposed surfaces shall be polished to a Paddock buff finish.

A rubber bumper on each rail protects the interior pool finish.

Paddock deck anchors with Paddock escutcheon plates are available.

P/N \_\_\_\_\_, Model 4539-\_\_\_\_\_, 2-Tread Ladder Type \_\_\_\_\_, \_\_\_\_\_" OD x \_\_\_\_\_ Wall Less Anchors, Qty \_\_\_\_\_

P/N \_\_\_\_\_, Model 4540-\_\_\_\_\_, 3-Tread Ladder Type \_\_\_\_\_, \_\_\_\_\_" OD x \_\_\_\_\_ Wall Less Anchors, Qty \_\_\_\_\_

P/N \_\_\_\_\_, Model 4541-\_\_\_\_\_, 4-Tread Ladder Type \_\_\_\_\_, \_\_\_\_\_" OD x \_\_\_\_\_ Wall Less Anchors, Qty \_\_\_\_\_

P/N \_\_\_\_\_, Model 4542-\_\_\_\_\_, 5-Tread Ladder Type \_\_\_\_\_, \_\_\_\_\_" OD x \_\_\_\_\_ Wall Less Anchors, Qty \_\_\_\_\_