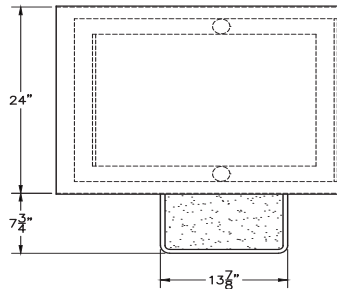
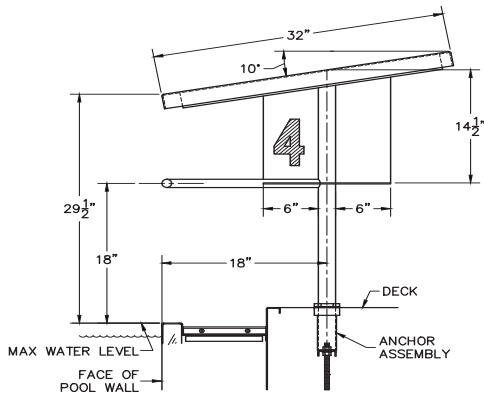


## Track Start Platform



Paddock's **Track Start Platform** is quickly and easily removable.

Platform shall be side mounted and have a 24" wide x 32" long stainless steel top.

Flush with front edge of platform is a backstroke starting bar.

A mounting tread shall be positioned off the side of the platform. Tread shall be fabricated from stainless steel, and have a slip resistant surface.

At each side of platform, attached to legs, shall be a stainless steel plate on which lane number is displayed with a 4" standard numeral.

Top of starting platform shall be with a non-slip solid surface.

Colors, custom logos and vertical backstroke grips are available as options.

4911-A & 4911-10A Anchors with 19" spacing are sold separately.

4911-S Track Start Platform St. St. Type \_\_\_\_\_ Qty \_\_\_\_\_

Also available in Long Reach with 24", 30" & 36" Setback Setback St. St. Type \_\_\_\_\_ Qty \_\_\_\_\_