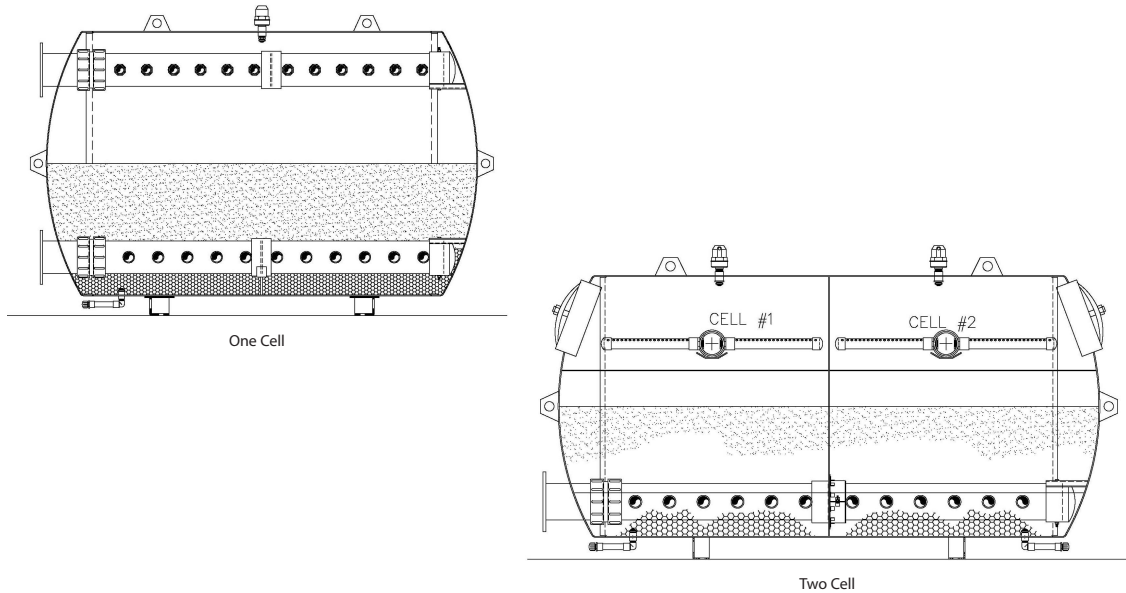


Stainless Steel Horizontal Filter



Paddock's **stainless steel horizontal pressure sand filters** are designed to save on space and cost without comprising performance, durability, or ease of operation. Each tank is NSF listed and manufactured from Type 316L stainless steel, a material which is specially fashioned to offer superior protection against corrosion in chloride environments. The result is a product that is virtually indestructible and perfectly suited to commercial swimming applications, insuring many years of reliable service.

Dual Cell features two filtration cells in a single tank; backwash one cell at a time. This will reduce backwash rate by 50% and reduce size of backwash waste line.

Standard Features

- § Type 316L stainless steel construction
- § Non-corrosive internals
- § All models are NSF listed

Options

- § 36" to 96" diameters
- § From four to twelve feet body lengths
- § Dual cell
- § ASME code and labeled filters
- § Automatic control



Stainless Steel Horizontal Filters

Available in 1-Cell or 2-Cell

2-Cell features two filtration cells in a single tank, backwash one cell at a time

Shell Length	4'	5'	6'	7'	8'	9'	10'	11'	12'	
36"	MODEL#	6723-H-4	6723-H-5	6723-H-6	6723-H-7	6723-H-8	6723-H-9	6723-H-10	6723-H-11	6723-H-12
	AREA	14	17	20	23	26	29	32	35	38
	FLOW@15	210	255	300	345	390	435	480	525	570
	PIPE SIZE	4	4	4	4	6	6	6	6	6
42"	MODEL#	6724-H-4	6724-H-5	6724-H-6	6724-H-7	6724-H-8	6724-H-9	6724-H-10	6724-H-11	6724-H-12
	AREA	16.5	20	23.5	27	30.5	34	37.5	41	44.5
	FLOW@15	248	300	353	406	458	510	563	615	668
	PIPE SIZE	4	4	4	6	6	6	6	6	6
48"	MODEL#	6725-H-4	6725-H-5	6725-H-6	6725-H-7	6725-H-8	6725-H-9	6725-H-10	6725-H-11	6725-H-12
	AREA	19.15	23.15	27.15	31.15	35.15	39.15	43.15	47.15	51.15
	FLOW@15	287	347	407	467	527	587	647	707	767
	PIPE SIZE	4	4	6	6	6	6	6	6	6
54"	MODEL#	6726-H-4	6726-H-5	6726-H-6	6726-H-7	6726-H-8	6726-H-9	6726-H-10	6726-H-11	6726-H-12
	AREA	22	26.5	31	35.5	40	44.5	49	53.5	58
	FLOW@15	330	397	465	533	600	668	735	803	870
	PIPE SIZE	4	4	6	6	6	6	6	6	8
60"	MODEL#	6727-H-4	6727-H-5	6727-H-6	6727-H-7	6727-H-8	6727-H-9	6727-H-10	6727-H-11	6727-H-12
	AREA	24.87	29.87	34.87	39.87	44.87	49.87	54.87	59.87	64.87
	FLOW@15	373	448	523	598	673	748	823	898	973
	PIPE SIZE	6	6	6	6	6	6	8	8	8
66"	MODEL#	6728-H-4	6728-H-5	6728-H-6	6728-H-7	6728-H-8	6728-H-9	6728-H-10	6728-H-11	6728-H-12
	AREA	27.83	33.33	38.83	44.33	49.83	55.33	60.83	66.33	71.83
	FLOW@15	417	500	582	665	747	830	912	995	1077
	PIPE SIZE	6	6	6	6	6	8	8	8	8
72"	MODEL#	6729-H-4	6729-H-5	6729-H-6	6729-H-7	6729-H-8	6729-H-9	6729-H-10	6729-H-11	6729-H-12
	AREA	31	37	43	49	55	61	67	73	79
	FLOW@15	465	555	645	735	825	915	1005	1095	1185
	PIPE SIZE	6	6	6	6	8	8	8	8	8
78"	MODEL#	6730-H-4	6730-H-5	6730-H-6	6730-H-7	6730-H-8	6730-H-9	6730-H-10	6730-H-11	6730-H-12
	AREA	34.19	40.69	47.19	53.69	60.19	66.69	73.19	79.69	86.19
	FLOW@15	513	610	708	805	903	1000	1098	1195	1293
	PIPE SIZE	6	6	6	6	8	8	8	8	8
84"	MODEL#	6731-H-4	6731-H-5	6731-H-6	6731-H-7	6731-H-8	6731-H-9	6731-H-10	6731-H-11	6731-H-12
	AREA	37.42	44.42	51.42	58.42	65.42	72.42	79.42	86.42	93.42
	FLOW@15	561	666	771	876	981	1086	1191	1296	1401
	PIPE SIZE	6	6	6	8	8	8	8	8	8
90"	MODEL#	6732-H-4	6732-H-5	6732-H-6	6732-H-7	6732-H-8	6732-H-9	6732-H-10	6732-H-11	6732-H-12
	AREA	40.8	48.6	55.8	63.3	70.8	78.3	85.8	93.3	100.8
	FLOW@15	612	729	837	950	1062	1175	1287	1400	1512
	PIPE SIZE	6	6	8	8	8	8	8	8	10
96"	MODEL#	6733-H-4	6733-H-5	6733-H-6	6733-H-7	6733-H-8	6733-H-9	6733-H-10	6733-H-11	6733-H-12
	AREA	44.25	52.24	60.25	68.25	76.25	84.25	92.25	100.25	108.25
	FLOW@15	664	787	904	1024	1144	1264	1384	1504	1624
	PIPE SIZE	6	6	8	8	8	8	8	10	10

800-849-2729

555 Paddock Parkway Rock Hill, SC 29730

www.paddockindustries.com