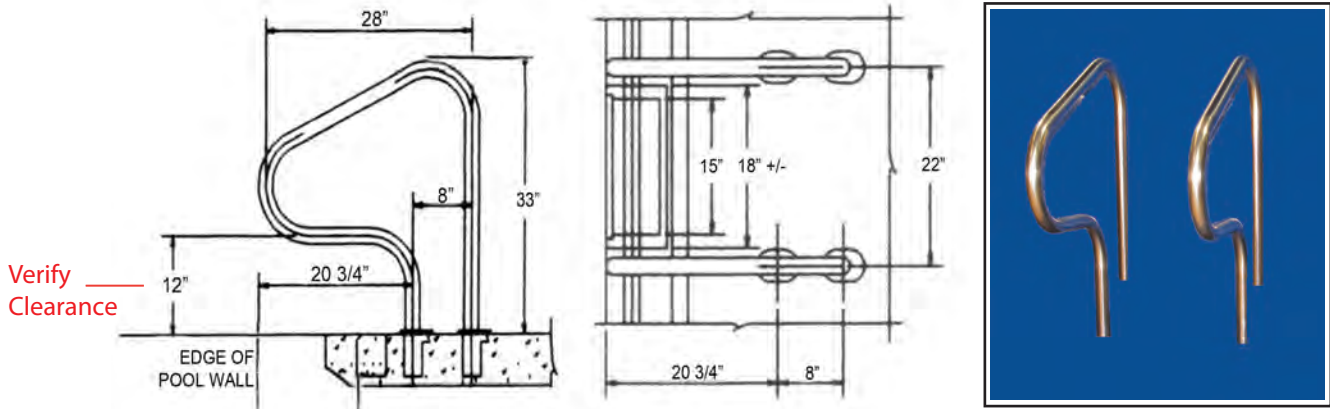


**Figure Four Grab Rail
(1 pair)**



Paddock's **Figure Four Grab Rails** are fabricated from Type 304 or 316L stainless steel tubing with an outside diameter of 1.90" and standard wall thickness of .083". (Outside diameter of 1.50", or wall thickness of .120" and .145" are also available)

Top of rails to be 33" above deck.

Exposed surfaces shall be polished to a Paddock buff finish.

Legs are mounted side by side, allowing maximum walking space on the pool deck.

Paddock deck anchors with Paddock escutcheon plates are available.

P/N _____, Model 4496-____, Type _____, _____" OD x _____" Wall Less Anchors, Qty _____