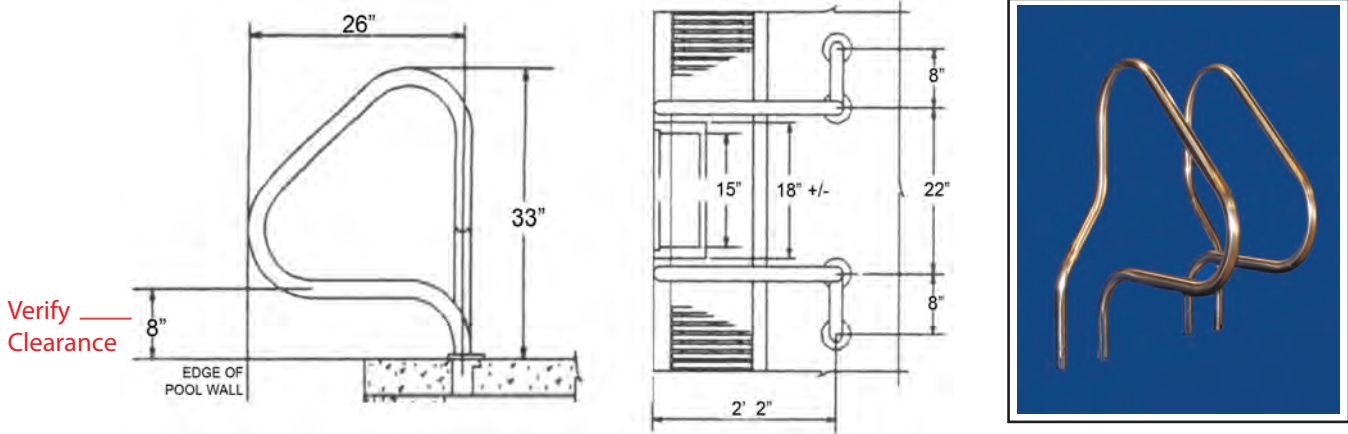


## California Style Grab Rail (1 pair)



Paddock's **California Style Grab Rails** are fabricated from Type 304 or 316L stainless steel tubing with an outside diameter of 1.90" and standard wall thickness of .083". (Outside diameter of 1.50", or wall thickness of .120" and .145" are also available)

Top of rails to be 33" above deck.

Exposed surfaces shall be polished to a Paddock buff finish.

**California Style Grab Rails** are made in the same design as the Pretzel Bend Grab Rails but extend an additional 9" to accommodate pools with very wide gutters and/or unusually extreme deck-to-water dimensions.

Legs are mounted side by side, allowing maximum walking space on the pool deck.

Paddock deck anchors with Paddock escutcheon plates are available.

P/N \_\_\_\_\_, Model 4497-C\_\_\_\_, Type \_\_\_\_\_, \_\_\_\_\_" OD x \_\_\_\_\_" Wall Less Anchors, Qty \_\_\_\_\_