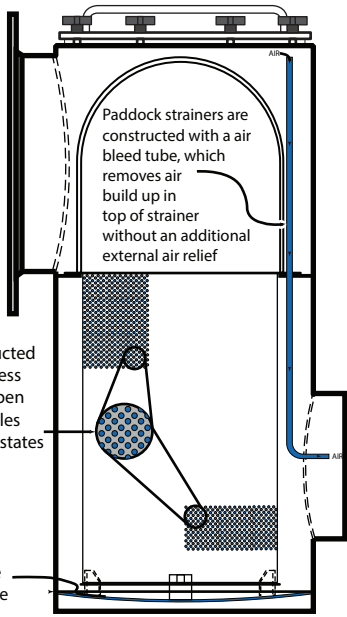




Strainer

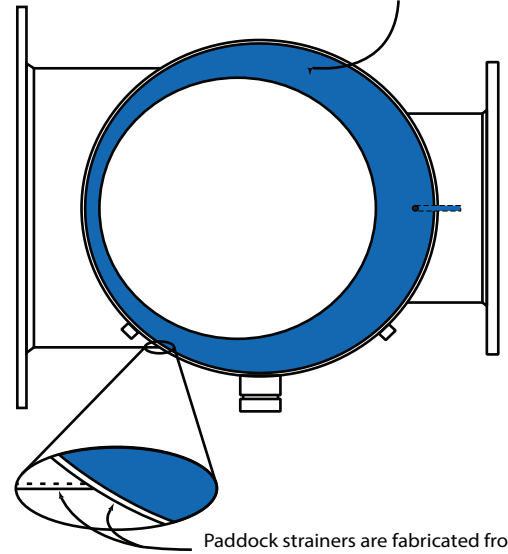


Paddock strainers are constructed with an air bleed tube, which removes air build up in top of strainer without an additional external air relief

Perforated basket is constructed of 18 gauge Type 304 stainless steel material with a 52% open area and 1/8" perforated holes which is compliant in all 50 states

Paddock strainers are fabricated with a domed bottom. This feature allows Paddock strainers to dissipate water hammer more effectively and decrease the force of impact to other components

Paddock strainers are designed for superior flow and less pressure drop by off setting the strainer basket (highlighted in blue). This feature allows larger volumes of effluent water to the pump even under heavy basket loading from debris



Paddock strainers are fabricated from Type 304 1/8" thick stainless steel material and coated with epoxy paint

Qty	PN	Model Number	Strainer Size	Inlet Size	Flange Diameter	Outlet Size	Flange Diameter	Open Area (in ²)	Ratio	Wt (#)
	9500000	5704-03	4 x 3	4"	9"	3"	7 1/2"	11.5	20.6:1	191.3
	9500001	5704-04	4 x 4	4"	9"	4"	9"	11.5	20.6:1	191.7
	9500080	5706-03	6 x 3	6"	11"	3"	7 1/2"	26.07	9.16:1	192.5
	9500003	5706-04	6 x 4	6"	11"	4"	9"	26.07	9.16:1	193.0
	9500004	5706-05	6 x 5	6"	11"	5"	10"	26.07	9.16:1	193.7
	9500005	5706-06	6 x 6	6"	11"	6"	11"	26.07	9.16:1	194.2
	9500006	5708-04	8 x 4	8"	13 1/2"	4"	9"	45.7	5.22:1	194.3
	9500007	5708-05	8 x 5	8"	13 1/2"	5"	10"	45.7	5.22:1	195.1
	9500008	5708-06	8 x 6	8"	13 1/2"	6"	11"	45.7	5.22:1	195.6
	9500009	5708-08	8 x 8	8"	13 1/2"	8"	13 1/2"	45.7	5.22:1	196.9
	9500010	5710-05	10 x 5	10"	16"	5"	10"	71.8	5.66:1	299.4
	9500011	5710-06	10 x 6	10"	16"	6"	11"	71.8	5.66:1	299.9
	9500012	5710-08	10 x 8	10"	16"	8"	13 1/2"	71.8	5.66:1	301.2
	9500013	5710-10	10 x 10	10"	16"	10"	16"	71.8	5.66:1	303.0
	9500014	5712-05	12 x 5	12"	19"	5"	10"	101.64	4:1	309.5
	9500015	5712-06	12 x 6	12"	19"	6"	11"	101.64	4:1	310.0
	9500016	5712-08	12 x 8	12"	19"	8"	13 1/2"	101.64	4:1	311.4
	9500017	5712-10	12 x 10	12"	19"	10"	16"	101.64	4:1	313.2
	9500018	5712-12	12 x 12	12"	19"	12"	19"	101.64	4:1	315.0
	9500019	5714-05	14 x 5	14"	21"	5"	10"	122.7	5.24:1	305.4
	9500020	5714-06	14 x 6	14"	21"	6"	11"	122.7	5.24:1	305.9
	9500021	5714-08	14 x 8	14"	21"	8"	13 1/2"	122.7	5.24:1	307.2
	9500022	5714-10	14 x 10	14"	21"	10"	16"	122.7	5.24:1	309.0
	9500023	5714-12	14 x 12	14"	21"	12"	19"	122.7	5.24:1	310.8
	9500024	5714-14	14 x 14	14"	21"	14"	21"	122.7	5.24:1	315.0
	9500025	5716-05	16 x 5	16"	23 1/2"	5"	10"	160.92	4:1	307.1
	9500026	5716-06	16 x 6	16"	23 1/2"	6"	11"	160.92	4:1	307.6
	9500027	5716-08	16 x 8	16"	23 1/2"	8"	13 1/2"	160.92	4:1	309.0
	9500028	5716-10	16 x 10	16"	23 1/2"	10"	16"	160.92	4:1	310.8
	9500029	5716-12	16 x 12	16"	23 1/2"	12"	19"	160.92	4:1	312.6
	9500030	5716-14	16 x 14	16"	23 1/2"	14"	21"	160.92	4:1	316.8
	9500031	5716-16	16 x 16	16"	23 1/2"	16"	23 1/2"	160.92	4:1	318.6

Standard Features

- § Fabricated from Type 304 1/8" thick stainless steel
- § Lids are machined to eliminate sharp edges and are sealed with a 1/4" diameter rubber 'o'-ring gasket
- § Locking assemblies permit easy access and closing without use of tools
- § Stainless steel drain and vacuum couplings with threaded plugs are provided along with drilled and tapped gauge connections
- § System is designed for 60 PSI working pressure
- § Perforated basket is constructed of 18 gauge Type 304 stainless steel with a 52% open area and 1/8" perforated holes
- § 4", 6" and 8" strainers feature a 1/2" stainless steel cover ring with a clear viewport