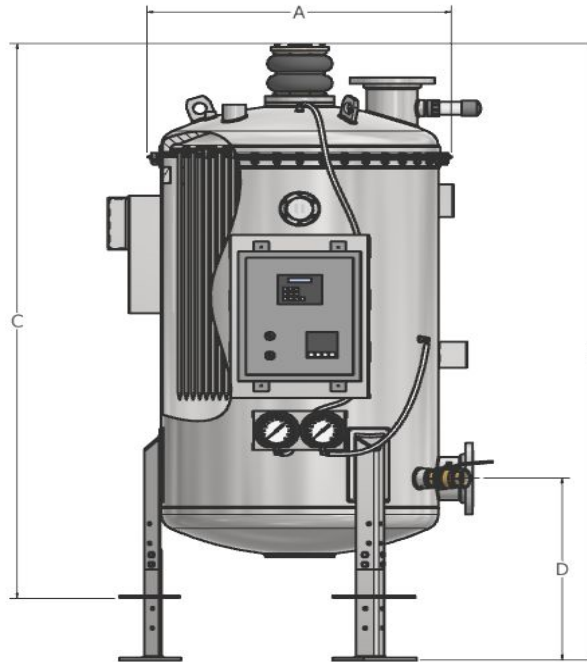


Paddock Regenerator™

Environmental Regenerative Filter

Only manufacturer able to run real world design filtration GPM/sq ft to upper limit. Forty nine plus years of infield experience to back claims and a filter that can last life of facility. No other regenerative filter offers a value in market that compares in quality or performance.



FEATURES

- * No Backwashing
- * Automated
- * All Stainless Steel Components
- * Small Footprint in Equipment Room
- * Totally Integrated System w/VFD
- * True ASME flanged & dished head
- * Double boot mechanism for extra air capacity for more active regeneration

** Contact manufacturer for assistance in plumbing layout.

FILTER AID: Celite 545, Dicalite 4200, E-P FW50

*Most specified, other units custom order	Width	Overall Height	Shipping Height	Tank Influent Connection	** Maximum Design Filtration GPM/sq. ft. based on piping layout.	Effective Filtration Area/sq. ft.	GPM Range as a guide. Flow based on plumbing design of system.	Tank Volume Gallons	PreCoat lbs. Perlite	PreCoat lbs. (+) DE	Operating Weight lbs.	Shipping Weight lbs.	Drain Connection inches	Tank Connection inches
Model #	A	B	C	D										
PPEC 140	18.96	~70.25	~69.25	20.50	1.50	77.3	75-122	89	9	17	625	310	3	3
PPEC 145	21.50	76.50	75.19	20.50	1.60	103.0	105-171	98	12.5	24	800	604	3	3
PPEC 225	27.00	~76.44	~74.94	21.50	1.60	165.2	171-264	116	21	40	1200	820	4	4
PPEC 225S*	27.00	86.75	85.56	24.00	1.60	208.7	212-335	129	26	50	1500	1025	4	4
PPEC 350	33.00	~79.56	~77.56	25.19	1.60	277.9	300-444	220	33	63	2560	1040	4	6
PPEC 350S*	33.00	88.25	70.25	24.44	1.60	351.2	337-565	244	41	79	3200	1300	4	6
PPEC 500	39.00	~85.72	83.72	26.56	1.60	410.9	550-657	262	61	117	3400	1400	4	6
PPEC 500S*	39.50	92.48	88.67	25.88	1.60	519.4	528-835	291	65.5	126	4250	1750	4	6
PPEC 700	45.00	~85.69	~83.69	24.50	1.60	559.6	750-895	356	76	146	4560	1760	4	8
PPEC 700S*	45.00	96.69	85.56	28.25	1.60	707.3	719-1138	396	82	158	5700	2200	4	8
PPEC 1000	51.50	97.44	83.44	31.31	1.60	740.5	730-1184	546	87.5	168	6160	3050	4	8
PPEC 1275*	51.00	103.63	89.63	30.81	1.60	935.8	950-1505	525	109	210	7700	3100	4	8
PPEC 1675*	63.50	103.50	87.00	34.19	1.40	1216.6	1225-1670	801	141.5	272	12000	4500	4	10
PPEC 1675 Short	63.50	90.75	90.75	26.25	1.40	1216.6	1225-1670	801	141.5	272	12000	4500	4	10
PPEC 2100*	63.50	116.49	107.94	34.19	1.60	1538.8	1560-2490	890	182	350	13800	5800	4	10

(+) Preferred Media



PO Box 11676 Rock Hill, SC 29730 T: 800-849-2729 F: 803-324-1116 www.paddockindustries.com